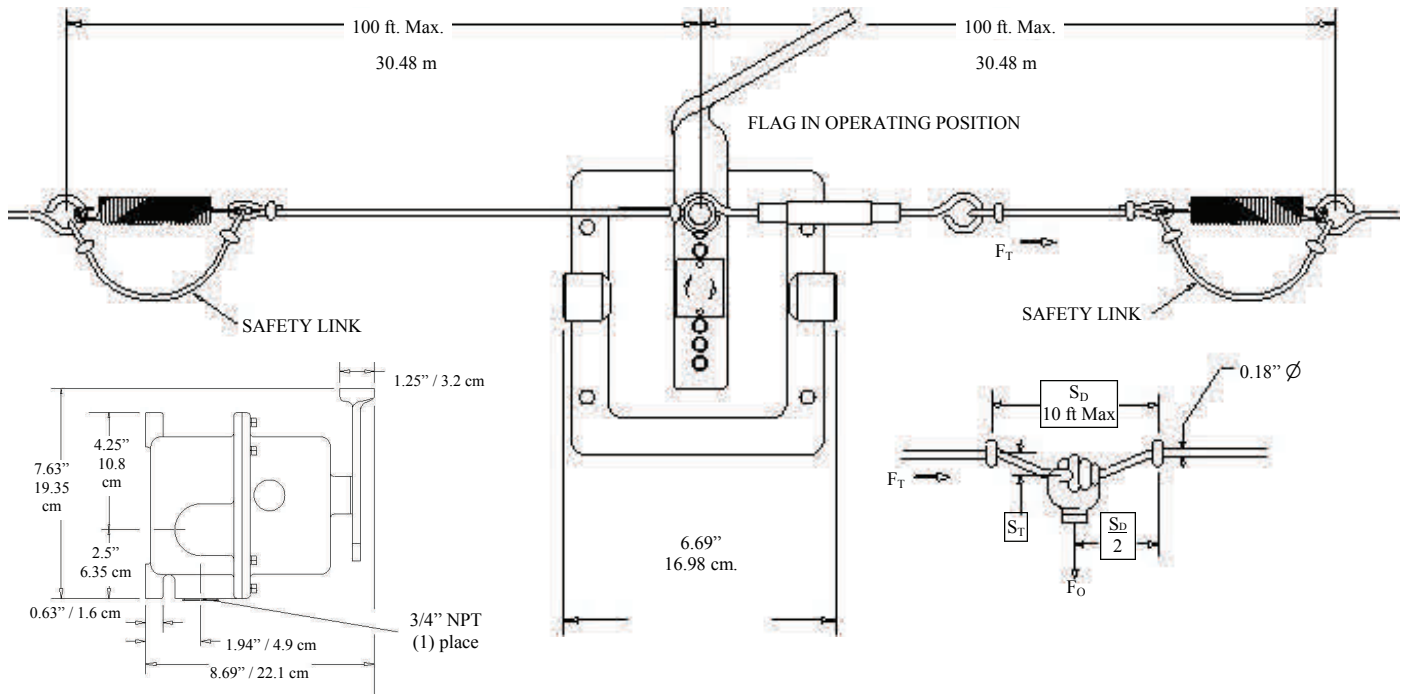


SPECIFICATIONS / APPROVALS
for EXPLOSION RATED BI-DIRECTIONAL SWITCHES W/ CABLE BREAK DETECTION



Cables should be taut when installed properly and not pulled.

F_T = The value of force, along the cable, which trips the switch.

F_O = The value of force, applied by the operator perpendicular to the cable, which trips the switch.

S_D = The distance between the cable supports.

S_T = The distance the cable is deflected at the time of tripping.

Catalog Number	Contact Arrangement	Cable Position (hole)	F_T Trip Force	$S_D = 5 \text{ ft.} / 1.5 \text{ m}$		$S_D = 10 \text{ ft.} / 3.0 \text{ m}$	
				F_O	S_T	F_O	S_T
04966-000	1 (NO / NC) SPDT	Top	20 lb. / 9.1 kg	10 lb. / 4.5 kg	10.2 in. / 25.8 cm	7.5 lb. / 3.4 kg	14.3 in. / 36.3 cm
04966-200	2 (NO / NC) SPDT						

WARNING—DANGER

These products should only be used where point-of-operation guarding devices have been properly installed & maintained so that appropriate OSHA and ANSI B11.1 regulations & standards are met. Misapplication of the products on machinery lacking effective point-of operation safeguards can cause serious injury to the operator of that machinery.

UL listed (File E327580);

These switches comply with: UL-1203;

Elect. Ratings: 20 A: 125, 250, or 480 VAC;

10 A: 125 VAC "L" (tungsten filament lamp load);

½ A: 24 VDC; ½ A: 125 VDC; ¼ A: 250 VDC;

Explosion Rated: NEMA Type 7—Class I, Groups C & D;

UL / NEMA Type 9 Class II, Groups E, F, & G for Hazardous Locations

Operating Position: Can be mounted in any position.

1 HP: 125 VAC; 2 HP: 250 VAC

AVAILABLE ACCESSORIES:

02005-605	02005-610	02005-615	02005-620	02005-625	02005-635	01004-055
Turnbuckle Tension Adj.	Cable, Steel	Thimble, Strain Relief	Rope Clip Standard	Cable Clip Optional	Eye Bolt Cbl. Support	Mounting Bracket
